

## Lower Roller Assembly Genuine Service Products

### Benefits at a glance

#### Increased productivity

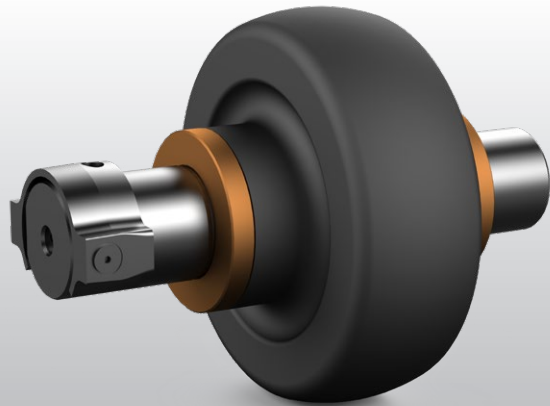
- Helps to maintain system clearances and extend overall life of the crawler system
- 50+ salt bath spun hardened lower rollers last longer, leading to a longer interval between overhauls

#### Lower total cost of ownership

- Larger and thicker thrust washer provides longer roller life and prevents damage to side frames
- Continuous bushing with integral grease grooves increases bushing surface area for better grease flow: longer pin, bushing and overall crawler system life
- Improved pin retainer ensures positive pin retention to ensure grease delivery system reliability

#### Enhanced safety

- Longer crawler system life increases change-out intervals reducing employee exposure to safety risks from system and component replacements



**Decreases maintenance and extends overhaul intervals**

The genuine P&H seal stands for quality and performance. For surface mining operations looking to enhance safety and improve shovel productivity, the P&H lower roller assembly from Komatsu is the best option.

Using the industry's most sophisticated design, engineering and manufacturing technologies, Komatsu has significantly improved the lower roller assembly to reduce maintenance requirements during the undercarriage lifecycle.

Our service products are engineered to meet our exacting application and design standards, ensuring optimal crawler system performance. Genuine service products, for P&H machines from Komatsu. They're a perfect fit.



## Related products and services

- P&H Delta series crawler shoes
- Lower works and undercarriage installation
- Crawler frame and propel transmission repairs and rebuilds
- Shovel overhauls and undecking
- Machine audits and inspections
- Full machine assembly and rebuilds
- Equipment relocations



### A genuine P&H lower roller assembly...

...Helps to lower mine operating costs by extending crawler system life, minimizing unplanned downtime

...Reduces damage to the side frame, meaning fewer repairs and quicker overhauls

...Improves grease delivery and flow to extend system life

## Komatsu Mining Corp. Group

mining.komatsu



Product designs, specifications and/or data in this document are provided for informational purposes only and are not warranties of any kind. Product designs and/or specifications may be changed at any time without notice. The only warranties that apply to sales of products and services are standard written warranties, which will be furnished upon request.

Komatsu, Joy, Montabert, P&H and other trademarks and service marks used herein are the property of Komatsu Ltd., Komatsu Mining Corp., or their respective owners or licensees.

© 2018 Komatsu Mining Corp. All rights reserved.

EN-LRAGSP01-0118-V1