



PC230F-11

Tier 4 Final engine



Net horsepower

147 kW (197 HP) @ 2,050 rpm

Operating weight

30,625 kg (67,516 lbs.)

New features



Tier 4 engine increased power (197 HP)

- Auto Power Max function
- Forestry wide fin coolers
- Double capacity fuel tank

Improved cooler compartment sealing

Forestry cab with expansive view

- Bluetooth radio
- Premium heated and cooled seat
- 32 mm (1.26 in) polycarbonate front window
- Four-point harness seat belt
- Komtrax (gateway controller)

Purpose-built work equipment

Processor provisions

Heavy-duty forestry idler cushions

Factory single piece ski-type roller

Large-capacity tool box



All comparisons are made with respect to the prior Komatsu model unless otherwise specifically stated. Photos may include optional equipment.

Designed for tough conditions



Forestry processing applications are a challenging task in often difficult environments, and Komatsu forestry excavators are built specifically to tackle these situations. Rugged front work equipment, high and wide undercarriage, powerful swing system and special cooling system promote high performance in demanding processing applications.

PC230F-11 shown includes Southstar QS500 processing head

Lifting capacity with lifting mode - processor (with auxiliary fuel tank)

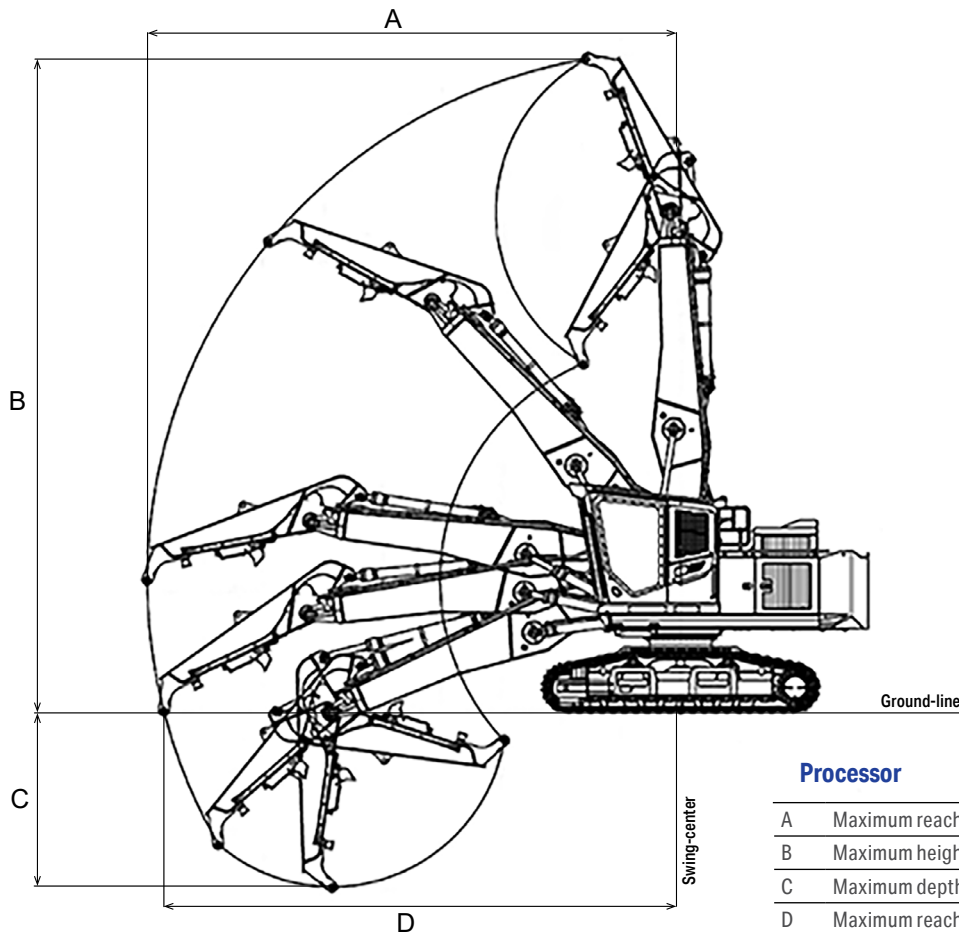
Unit: kg lb

B	3.05 m 10'		4.57 m 15'		6.10 m 20'		7.62 m 25'		MAX Reach	MAX	
	Cf	Cs	Cf	Cs	Cf	Cs	Cf	Cs		Cf	Cs
10.67 m 35'									2.63 m 8.63'	* 8500 18800	* 8500 18800
9.14 m 30'	* 8450 18700	* 8450 18700	* 8050 17800	* 8050 17800					5.57 m 18.29'	* 5800 12800	* 5800 12800
7.62 m 25'	* 7400 16300	* 7400 16300	* 8050 17800	* 8050 17800	* 7800 17200	* 7800 17200			7.09 m 23.26'	* 5100 11250	* 5100 11250
6.10 m 20'	* 7900 17400	* 7900 17400	* 8850 19950	* 8850 19950	* 8850 19600	* 8850 19600	* 6950 15350	6700 14800	8.04 m 26.39'	* 4800 10650	* 4800 10650
4.57 m 15'			* 12750 28150	* 12750 28150	* 10000 22050	9100 20050	* 8400 18550	6600 14600	8.63 m 28.30'	* 4750 10550	* 4750 10550
3.05 m 10'			* 14300 31550	13150 28950	* 10650 23500	8750 19350	* 8600 19050	6450 14250	8.91 m 29.23'	* 4900 10800	* 4900 10800
1.52 m 5'			* 14750 32500	12650 27900	* 10950 24150	8500 18800	* 8650 19050	6350 14000	8.93 m 29.29'	* 5200 11450	5150 11400
0.00 m 0'			* 13800 30450	12450 27550	* 10550 23250	8350 18450	* 8200 18100	6250 13850	8.68 m 28.46'	* 5700 12600	5300 11750
-1.52 m -5'			* 11800 26000	* 11800 26000	* 9300 20500	8350 18450	* 6950 15350	6250 13850	8.13 m 26.68'	* 5950 13100	5800 12850

* = Load is limited by hydraulic capacity rather than tipping. TRatings are based on SAE standard No. J1097

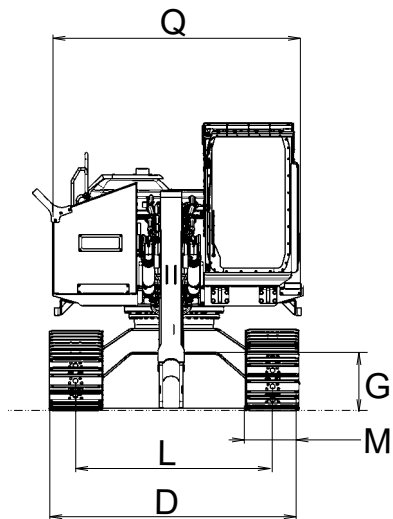
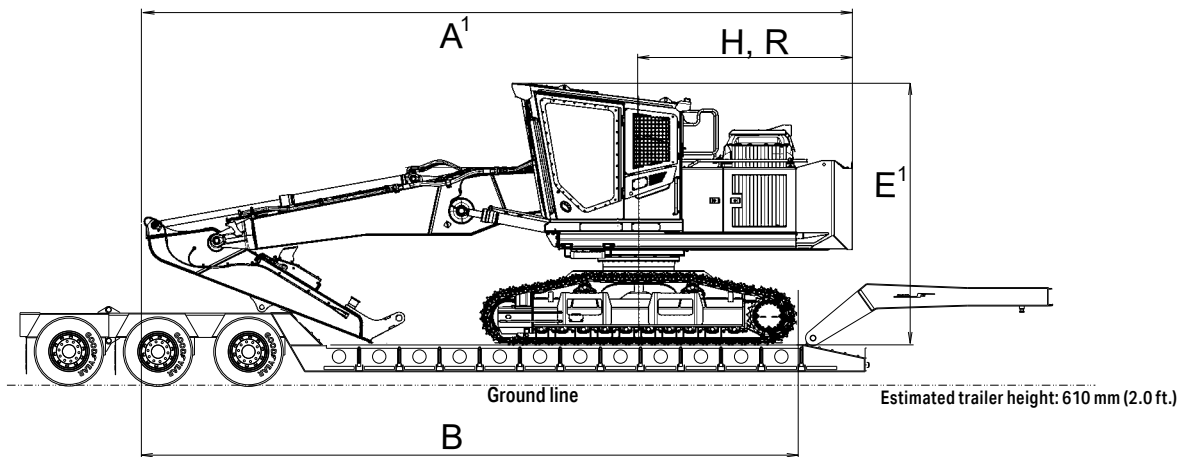
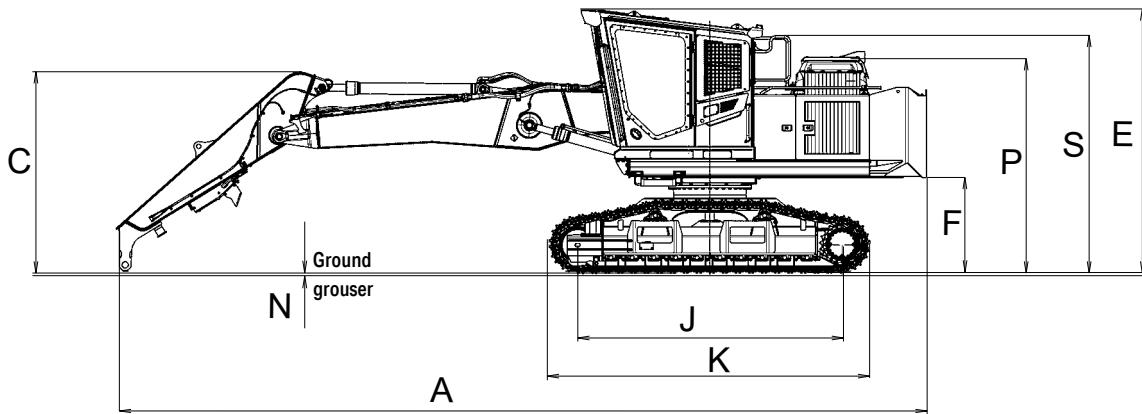
Rated loads do not exceed 87% of hydraulic lift capacity or 75% of tipping load

Lift mode: ON



Processor

A	Maximum reach	8 951 mm (29.3 ft.)
B	Maximum height	10 912 mm (35.8 ft.)
C	Maximum depth	2 951 mm (9.7 ft.)
D	Maximum reach (ground level)	8 675 mm (28.4 ft.)



Dimensions

A	Overall length	11 741 mm (38.5 ft.)
A1	Overall length (transport)	10 415 mm (34.2 ft.)
B	Length on ground (transport)	9 594 mm (31.5 ft.)
C	Overall height (top of arm)	2 895 mm (9.5 ft.)
D	Overall width (high and wide)	3 327 mm (10.9 ft.)
E	Overall height (top of cab)	3 802 mm (12.5 ft.)
E1	Overall height (transport)	3 837 mm (12.6 ft.)
F	Ground clearance (revo frame)	1 363 mm (4.5 ft.)
G	Ground clearance (track frame)	716 mm (2.3 ft.)
H	Tail swing radius	3 240 mm (10.7 ft.)
J	Track length on ground	3 845 mm (12.6 ft.)
K	Track length	4 673 mm (15.3 ft.)
L	Track gauge	2 627 mm (8.6 ft.)
M	Shoe width	700 mm (2.3 ft.)
N	Grouser height	35 mm (1 in)
P	Machine height (hood)	3 115 mm (10.3 ft.)
Q	Machine width	3 342 mm (10.7 ft.)
S	Machine height (top of handrail)	3 427 mm (11.3 ft.)

Specifications

Engine

Model	Komatsu SAA6D107E-3*	
Type	Water-cooled, 4-cycle, direct injection	
Aspiration	Komatsu variable geometry turbocharged, aftercooled, cooled EGR	
Number of cylinders	6	
Bore	107 mm	4.21"
Stroke	124 mm	4.88"
Piston displacement	6.69 L	408 in ³
Horsepower		
SAE J1995 (gross)	159 kW	213 HP
ISO 9249/SAE J1349 (net)	147 kW	197 HP
Rated rpm	2,050 rpm	
Fan drive method for radiator cooling	Mechanical	
Governor	All-speed control, electronic	

*U.S. EPA Tier 4 Final emission certified

Hydraulics

Type: HydrauMind (Hydraulic Mechanical Intelligence system), closed-center system with load sensing valves and pressure compensated valves

Number of selectable working modes	6	
Main pump		
Type	Variable displacement piston type	
Pumps for	Boom, arm, swing and travel circuits	
Maximum flow	475 L/min	125.5 gpm
Supply for control circuit	Self-reducing valve	
Hydraulic motors		
Travel	2 x axial piston motors with parking brake	
Swing	1 x axial piston motor with swing holding brake	
Relief valve setting		
Implement circuits	38.0 MPa	387 kg/cm ² 5,511 psi
Travel circuit	38.0 MPa	387 kg/cm ² 5,511 psi
Swing circuit	28.4 MPa	289 kg/cm ² 4,119 psi
Pilot circuit	3.3 MPa	33 kg/cm ² 478 psi
Hydraulic cylinders	<i>(bore x stroke x rod diameter)</i>	
Boom (2)	135 mm x 1 335 mm x 95 mm	5.3" x 52.6" x 3.7"
Arm (1)	140 mm x 1 635 mm x 100 mm	5.3" x 64.4" x 3.9"

Drives and brakes

Steering control	Two levers with pedals	
Drive method	Hydrostatic	
Maximum drawbar pull	212 kN	21 618 kgf 47,659 lbf
Gradeability	70%, 35 deg	
Maximum travel speed		
High	5.6 km/h	3.5 mph
Mid (auto-shift)	3.7 km/h	2.3 mph
Low (auto-shift)	2.9 km/h	1.8 mph
Service brake	Hydraulic lock	
Parking brake	Mechanical disc brake	

Swing system

Drive method	Hydrostatic	
Swing reduction	Planetary gear	
Swing circle lubrication	Grease-bathed	
Service brake	Hydraulic lock	
Holding brake/swing lock	Mechanical disc brake	
Swing speed	11.7 rpm	
Swing torque	8 065 kg-m	58,334 ft.-lbs.

Undercarriage

Center frame	X-frame	
Track frame	Box-section	
Seal of track	Sealed track	
Track adjuster	Hydraulic	
Number of shoes (each side)	48	
Number of carrier rollers (each side)	2	
Number of track rollers (each side)	10	

Coolant (refilling) and lubricant capacity

Fuel tank	813 L	214.8 US gal
Coolant	35.5 L	9.4 US gal
Engine	23.1 L	6.1 US gal
Final drive (each side)	5 L	1.3 US gal
Swing drive	7.2 L	1.9 US gal
Hydraulic tank	132 L	34.9 US gal
Hydraulic system	253 L	66.8 US gal
DEF tank	23.1 L	6.1 US gal

Operating weight

Processor includes:
 Forestry cab with 178 mm (7") riser
 700 mm (28") double grouser shoes
 Processor boom 6 160 mm (20.2")
 Processor arm 2 920 mm (9.58')
 Variable pitch reversing fan
 Heavy counterweight with additional capacity fuel tank
 Rated capacity of lubricants
 Coolant
 Operator and standard equipment (no head)

Operating weight	30 625 kg	67,516 lbs.
Ground pressure	0.52 kg/cm ²	7.53 psi

Standard and optional equipment

Engine and related components standard • optional ○

Engine, Komatsu SAA6D107E-3, Tier 4 Final	
Gross HP (J1995): 213 HP (159 kW)	•
Net HP (J1349): 197 HP (147 kW)	
Komatsu Diesel Particulate Filter (KDPF)	•
Selective catalytic reduction (SCR)	•
After-cooled, turbocharged direct injection	•
Air cleaner, double element	•
Fuel pre-filter, 10 micron	•

Cooling system

Radiator/oil cooler (8.5 fins per inch)	•
Variable pitch, automatic reversing fan	•

Electrical system

Alternator (90 A/24 V)	•
Large capacity batteries (2 x 12 V)	•
Starter motor (5.5 kW/24 V x1)	•
Working lights: 11 LED Lights	•
Engine shutdown secondary switch	•
Battery disconnect switch	•
24 V-12 V converter, 30 A	○

Undercarriage

High/wide forestry undercarriage	•
Heavy-duty revolving frame	•
700 mm (28") double grouser shoes	•
Track rollers, HD 10/side	•
Carrier rollers (2), track type/side	•
Heavy-duty recoil spring	•
Heavy-duty tow hooks	•
Track guard full-length ski-type	•

Guards and covers

Dustproof net for radiator and oil cooler	•
HD forestry guards	•
HD doors, 6 mm (1/4") thick	•
HD underguard 6 mm (.27") thick	•
Corner post/front guard	•
Pump/engine partition cover	•
Forestry debris screens	•
Grip strut walkways	•
Boom cylinder guard	•

Operator environment

standard • optional ○

Komatsu forestry cab with 7" fixed riser	•
32 mm (1.25") polycarbonate front window	•
ROPS/OPS/TOPS/FOPS/WCB/Oregon OSHA certified	•
Automatic HVAC	•
Low vibration viscous cab floor mounts	•
Monitor panel, LCD, high-resolution color	•
Equipment Management Monitoring System (EMMS)	•
Seat, high back, air suspension, heated/cooled	•
Radio with Bluetooth	•

Work equipment

Processor boom 6.16 m (20.2 ft.)	•
Processor arm 2.92 m (9.58 ft.)	•
Processor-specific piping package	•
Case drain filter, high pressure filtration	•
Return filtration	○

Hydraulic controls

Axial piston swing motor (1)	•
Axial piston travel motors (2)	•
Variable capacity piston pumps (2)	•
Closed center load sensing (CCLS) pumps	•
Hydraulic pump high-pressure discharge filters	•
PC240-class swing bearing and swing machinery	•
Engine/hydraulic overheat prevention system	•

Drive and brake system

PC240-class final drives	•
3-speed travel with auto shift	•

Other equipment

Komatrax Level 5.0 monitoring system	•
Rearview monitoring camera	•
Sideview monitoring camera	○



Product designs, specifications and/or data in this document are provided for informational purposes only and are not warranties of any kind. Product designs and/or specifications may be changed at any time without notice. The only warranties that apply to sales of products and services are Komatsu's standard written warranties, which will be furnished upon request.

Komatsu and other trademarks and service marks used herein are the property of Komatsu Ltd. or its subsidiaries, or the respective owners or licensees.

KOMATSU

