



Safety



Reliability



Productivity



Indicative illustration only — machine design will vary.

	Capacities	
Haulage capacity	45 000 kg	99,000 lbs.
Dump box volume	21 m ³	27.5 yd ³
	Engine options	
Engine (standard) EPA Tier 3/EU Stage IIIA	460 kW	617 HP
Engine (optional) EPA Tier 4F/EU Stage V	460 kW	617 HP

HX45

Capacities

Haulage capacity	45 000 kg	99,000 lbs.
Standard box volume	21 m ³	27.5 yd ³

Weights

Operating weight	37 900 kg	83,380 lbs.
Total loaded weight	82 900 kg	182,380 lbs.

Axle weight without load

Front axle	27 200 kg	59,840 lbs.
Rear axle	10 700 kg	23,540 lbs.

Axle weight with load

Front axle	39 000 kg	85,800 lbs.
Rear axle	43 900 kg	96,580 lbs.

Driving speeds unloaded (km/h)

Grade (%)	0	5	10	12.5	14.3	20
1st gear	5.1	5.1	5.1	5	5	5
2nd gear	6.7	6.7	6.6	6.6	6.6	6.6
3rd gear	9.1	9.1	9.1	9	9	9
4th gear	12	11.9	11.9	11.9	11.8	11.7
5th gear	16	15.9	15.8	15.7	15.7	13.1
6th gear	21.1	20.9	20.7	18.6	17.6	
7th gear	28.7	28.3	23.7			

Driving speeds loaded (km/h)

Grade (%)	0	5	10	12.5	14.3	20
1st gear	5.1	5	5	5	5	5
2nd gear	6.7	6.6	6.6	6.6	6.5	5.8
3rd gear	9.1	9	8.9	8.5	7.7	
4th gear	12	11.8	10.4			
5th gear	16	15.7				
6th gear	21.1	17.5				
7th gear	28.5					

Box motion times (+/- 1 s)

Raising time	15 s
Lowering time	13 s

Articulation motion times (+/- 1 s)

Turning time, right	3.0 s
Turning time, left	3.0 s

Control system

User interface	Multicolor touch display
----------------	--------------------------

Electrical equipment

Voltage	24V
Alternator	150A
Batteries	2 x 12V/180Ah
Reverse alarm	

Lights

Front lights	5
Side lights	4
Rear lights	2 + 2 optional
Turn signals	4
Brake lights	3
Flashing beacon	1

Structural

Front and rear frames	Welded steel box construction
Material	S690, S355
Frame oscillation angle	+/- 8°

Powertrain

Engine (standard)	Mercedes OM473
Output	460 kW (617 HP) @ 1,600 rpm
Certification	EPA Tier 3 / EU Stage IIIA
Engine (optional)	Mercedes OM473
Output	460 kW (617 HP) @ 1,600 rpm
Certification	EPA Tier 4F / EU Stage V
Cooling type	Liquid
Exhaust system	Diesel oxidation catalyst (DOC) Tier 3
Fuel tank capacity	750 L 198 US gal
Torque converter	Dana CL8000 with lockup
Transmission	Dana 8000
Shifting	Electric
Gears	7 forward/2 reverse
Axles	
Front and rear	Kessler D106
Differentials, front	Open
Differentials, rear	Open
Brakes	Spring apply, hydraulic release on wheel ends
Tires	29.5R25 lugged tires

* As applications vary, local tire supplier should be consulted for appropriate tire.

Hydraulics

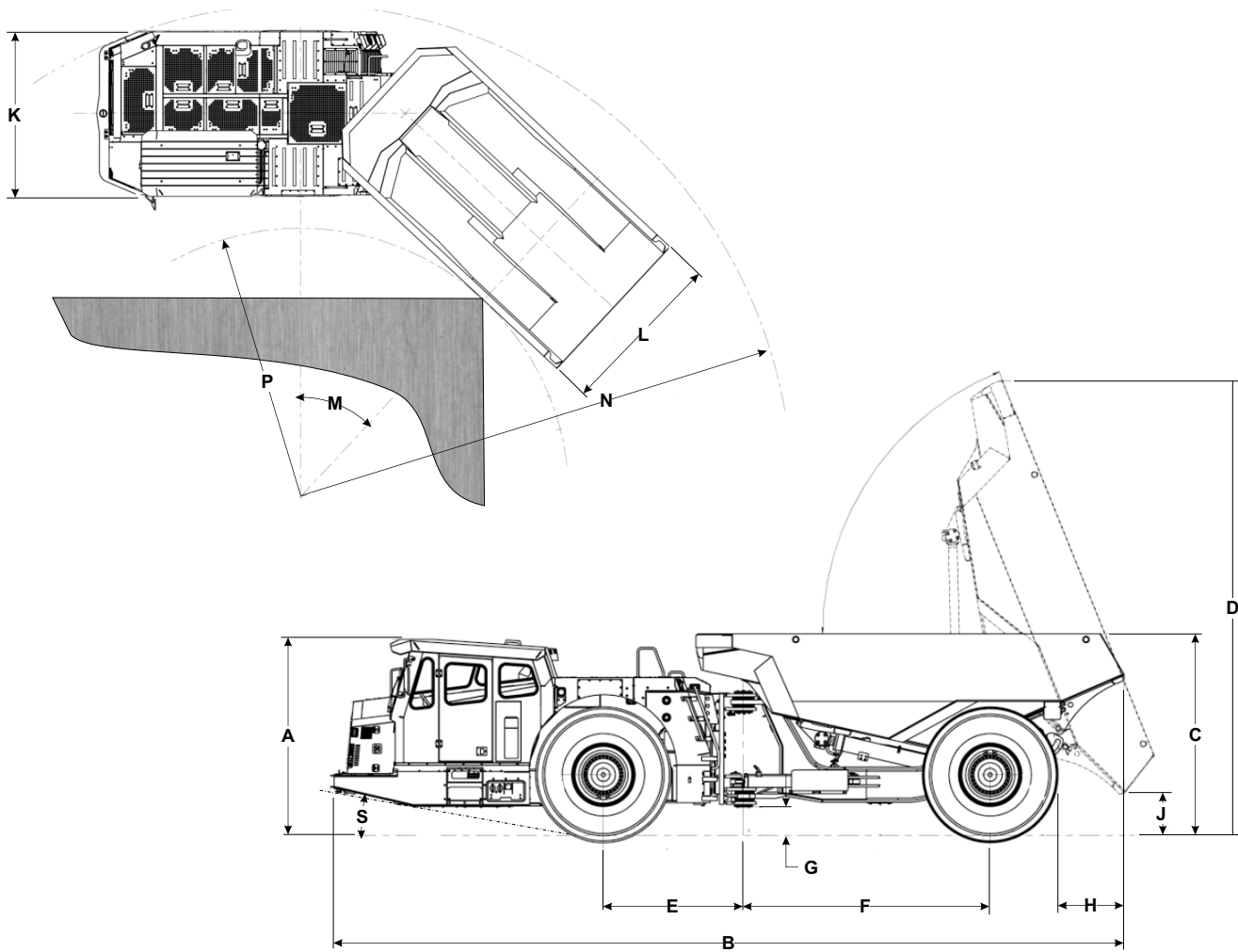
Variable displacement piston pump with load sensing closed center circuit design for optimal efficiency, steering has priority over working hydraulics. Optional electric transfer pump for tank filling

Steering control	Steering wheel with orbitrol
Dumpbox control	Proportional joystick
Box Hoist cylinders	Two cylinders, double acting, single stage
Steer cylinders	Two cylinders, double acting, single stage
Hydraulic tank volume	325 L 86 US gal

Brake system

Service brakes are enclosed spring applied, hydraulically released, liquid cooled multidisk on all four wheel ends. The service brakes also function as emergency and park brakes. Brakes will apply upon loss of hydraulic pressure or electric power

Brake cooling tank volume	100 L 26 US gal
---------------------------	-----------------



Overall dimensions

A	Height - top of cabin	2 699 mm	106 in
B	Length - tramming	10 935 mm	430 in
C	Height - sideboard	2 775 mm	109 in
D	Height - box up	6 263 mm	247 in
E	Length - front axle to articulation	1 930 mm	76 in
F	Length - rear axle to articulation	3 400 mm	134 in
G	Height - ground clearance	390 mm	15 in
H	Length - dump clearance	1 010 mm	40 in

J	Height - dump clearance	570 mm	22 in
K	Width - overall (not including box, mirrors)	3 062 mm	121 in
L	Width - dump box outside	3 062 mm	121 in
M	Turn angle		43 degrees
N	Turning radius - outside	9 066 mm	357 in
P	Turning radius - inside	4 945 mm	195 in
R	Dump angle		68 degrees

Standard and optional equipment

Operators cabin	●
ROPS - Certification ISO 3471	●
FOPS - Certification ISO 3449	●
Cabin suspension to reduce vibrations	●
Laminated glass windows	●
No high pressure hoses inside the cabin	●
Inclinometers	●
Adjustable steering wheel	●
Illuminated 3-pt access	●
Emergency exit via side window	●
7" touch display	●
Sliding window	●
Noise reduction due to absorbent material	●
Radio slot	●
12V output	●
USB loading	●
Sun visor	●
Climate controlled (air conditioner, heater)	●
Audio media player	●
3-pt seat belt	●
Air suspended seat	●
Trainer seat	●
Heated mirrors	●
First aid kit	●
Document case	●
Inclinometer	●
Lockable main switch	●
Emergency stop button (3)	●
Jump start interface	●
Retarder/engine brake lights	●
Flashing beacon	●
Unit condition lights	●
Electric brake release pump	●

Neutral brake apply	●
Reverse alarm	●
Mechanical steering locking device	●
Mechanical dump box locking device	●
Heat insulation on exhaust system	●
Door interlock for parking brake	●
Wheel chocks	●
Fire extinguisher	●
Front axle suspension	●
Oscillating articulation	●
Cooler for beverages	○
Payload weighting system incl. load indication light	○
Engine starter isolator	○
Emergency steering	○
Electric retarder	○
Automated central lubrication	○
Electric hydraulic filling pump	○
Tire pressure monitoring	○
Rearview camera	○
Sideview camera	○
Folding handrails	○
Dump box interlocking including warning signal	○
Fire suppression system manual/automatic	○
Automation interface	○
Remote monitoring	○
Wiggins fast fuel fill	○
Blockout gears	○
CE certification	○
Additional working light	○
Fluid level & temperature interlocks	○
RFID machine access	○

● standard equipment
○ optional equipment

Features

Dump box - standard	21 m ³	27.5 yd ³
Dump box - options	19 m ³	24.9 yd ³
	24 m ³	31.4 yd ³

Product designs, specifications and/or data in this document are provided for information purposes only and are not warranties of any kind. Product designs and/or specifications may be changed at any time without notice. The only warranties that apply to sales of products and services are Komatsu's standard written warranties, which will be furnished upon request.

Komatsu and other trademarks and service marks used herein are the property of Komatsu Ltd. Or its subsidiaries, or the respective owners or licensees.

KOMATSU

[komatsu.com](https://www.komatsu.com)

