

KOMATSU

GD955-7



Photos may include optional equipment.

Motor grader

Engine power

Gross : 426 HP (318 kW) @ 1,900 rpm

Net : 417 HP (311 kW) @ 1,900 rpm

Operating weight

104,323 lbs. (47,320 kg)

Blade length

18 ft. (5.5 m)

Optional 20 ft. (6.1 m)

Walk around

Production [m²/h]

increased by **33%**
(P mode)

Compared with GD825A-2
(Production varies depending
on the job conditions.)

Productivity

Productivity increased by enlarging machine size and increasing machine weight to match full 18 ft. (5.5 m) specification with high power

Maintenance

Bearing-type circle helps reduce maintenance downtime

- Easy access to service areas
- Maintenance information display
- Long oil change intervals

Durability

Main structure redesigned from the ground up for mining applications, reducing lifecycle costs with longer durability life

Operator environment

Electrical fingertip control

- Steering wheel and steering lever for ease of operation
- Cab design for wide view and operator comfort

Control

Auto-manual selectable lockup torque converter transmission

- Articulate auto-center return system to return to neutral angle with the press of a button

Ecology

U.S. EPA Tier 4 Final emission regulation compliant engine

- Engine power mode selection system

Information and communication technology (ICT)

- Machine monitor with improved operator interface
- Komtrax Plus

General features

- Built-in ROPS (ISO 3471)/FOPS (ISO 3449) cab
- Engine shutdown secondary switch
- KomVision

Engine power

Gross: 426 HP (318 kW) @ 1,900 rpm

Net: 417 HP (311 kW) @ 1,900 rpm

Operating weight

104,323 lbs. (47,320 kg)

Blade length

18 ft. (5.5 m)

optional 20 ft. (6.1 m)



Productivity features



High productivity

GD955-7 with a standard 18 ft. (5.5m) blade can grade up to 33% more area per hour when compared to the GD825A-2. An extended blade width, coupled with 48% higher engine output driving increased working speed, enables a more efficient operation necessary for mining operations. An optional 20 ft. (6.1m) blade provides more working width in easy applications and can maintain working speed when utilizing aggressive blade angles in heavy grading.

Production [m²/h]

increased by **33%**
(P mode)

Compared with GD825A-2
(Production varies depending
on the job conditions.)

Blade stability

A 50% increase in operating weight compared to the GD825A-2 helps increase blade downforce pressure to allow the GD955-7 to grade hard-packed road surfaces with ease. Expanded track width and increased weight on the axles helps provide vehicle stability in various working conditions. A long wheelbase allows the operator to obtain an aggressive moldboard angle. This wide blade angle permits material to roll more freely along the blade, helping reduce power requirements.

Easy to operate

Even with a longer wheelbase geometry, the GD955-7 can execute a U-turn on a 79 ft. (24m) wide haul road without cutting the wheel. The wide range steering and articulation angle delivers excellent maneuverability while providing a wider working range.



Work equipment

Moldboard

An 18 ft. (5.5m) standard moldboard and an optional 20 ft. (6.1m) moldboard are available for the GD955-7 to help improve haul road maintenance.



Ripper

The ripper beam and link are strengthened to accommodate the increase in machine size. The GD955-7 is equipped with seven shanks as standard.



Maintenance features

Bearing type circle significantly reduces maintenance downtime

A bearing-type circle assembly eliminates the need for frequent adjustments to help minimize downtime. An automatic greasing system is installed as standard to help decrease maintenance time and costs.

	Bearing type (GD955-7)	Guide hanging type (GD825A-2)
Greasing	Automatic greasing	Every 50 h
Play adjustment	Unnecessary	Every 500 h
Part replacement	Bearing, 16,000 h	Wear plate, circle guide Replace when worn to 2 mm or less

Adjustable blade rail guide

Blade rail guide play is an important adjustment to maintain for precise blade control. The GD955-7 eliminates the need for shims and adjustments can quickly be made with newly adopted adjustment bolts.

Automatic greasing system

The system automatically supplies grease to each greasing point at adjustable preset hours and it is not necessary to periodically lubricate with manual pump. Refill port to the reservoir is accessible from the ground level.



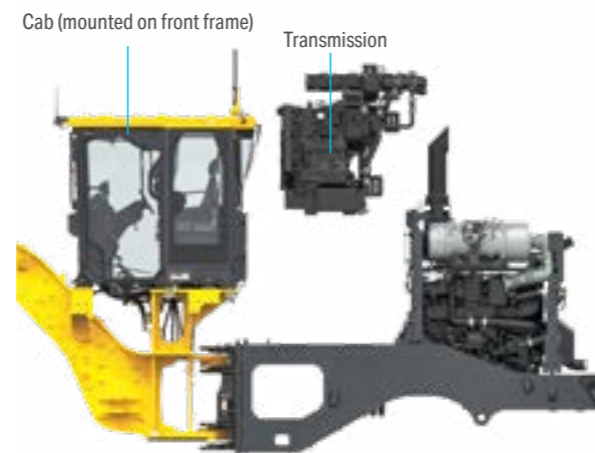
Easy access to service areas

- Large hinged lockable doors are standard and provide easy access to the engine and radiator service points; spin-on filters can be changed quickly
- Circuit and fuse sizes are clearly identified in the fuse panel located in the cab
- The tandem oil check point is conveniently located at the end of the tandem
- Ground level refueling is made easy
- Engine oil, hydraulic oil and coolant drains are positioned for easy maintenance
- The tandem axle step features a punched metal foot plate to ensure stable footing during maintenance and inspection



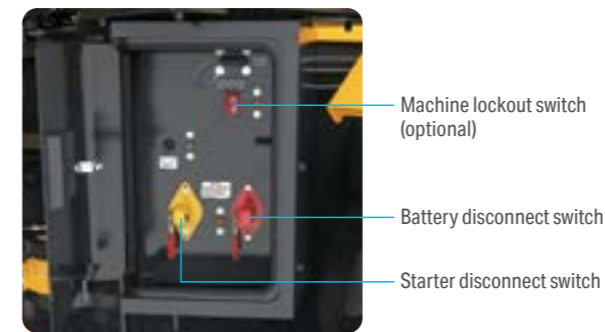
Easy component removal

With the cab mounted on the front frame, the transmission can be removed without removing the cab, reducing service downtime.



Ground level battery and starter disconnect switch with lockout/tagout

For convenience in maintenance/service, a battery and starter disconnect switch is located on the side of the vehicle and is accessible from the ground level.



Ground level emergency stop switch

For convenience in maintenance/service, four emergency engine stop switches are located on the vehicle and accessible from the ground level.



Electric circuit breaker

Circuit breakers are used for important electric circuits that need to be restored quickly if a problem occurs in the electrical system.



Tie-off anchor points for maintenance

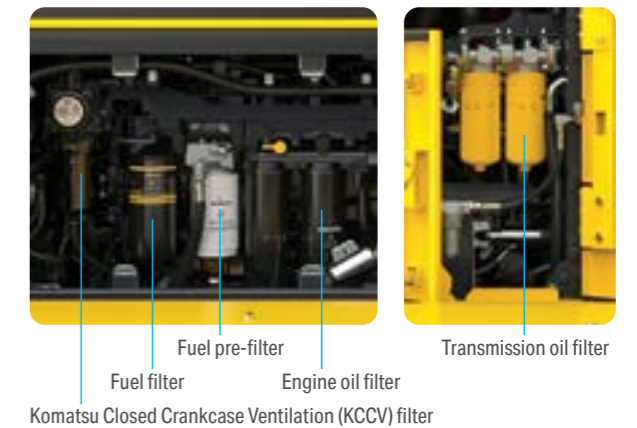
Anchors mounted to ROPS (ISO 3471) frame roof provide secure locations for attaching fall protection harnesses.

Machine lockout

Machine lockout switch disables steering cylinders, work equipment operation and forward/reverse drive while the engine is on.

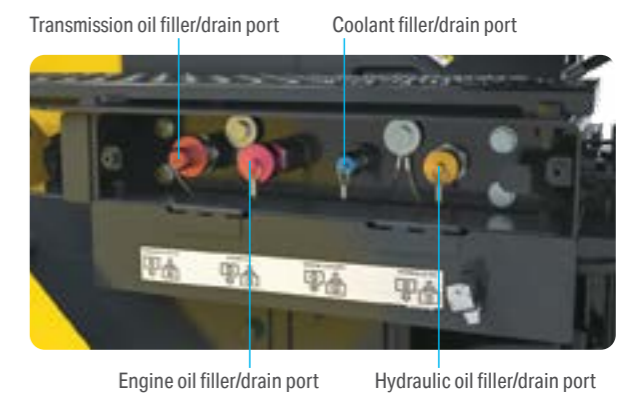
Centralized arrangement of filters

The filters are centralized for easy service.



Service center

A ground level service center is located above the diesel exhaust fluid (DEF) tank. Engine oil, transmission oil, hydraulic oil and coolant refilling ports are accessible in one location for quick proactive maintenance servicing.



Maintenance features

Easy access DEF tank

The DEF tank is located at the right middle side of the vehicle and accessible from ground level. A lockable, hinged door prevents the need to open the hood during refilling. An external sight gauge aids in preventing overflow and spillage while refilling.



Supports the DEF level and refill timing

The DEF level gauge is displayed continuously on the right side of the monitor screen. In addition, when the refill timing* is reached, the DEF low level guidance appears as a pop-up display to inform the operator in real time.

* The 2014 standard covering specific special automobile exhaust gases stipulates that when the DEF level becomes very low, the engine output is limited by law.



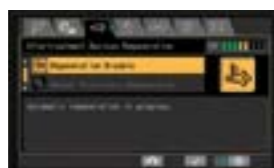
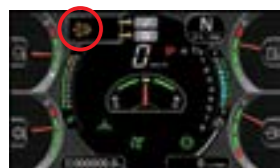
DEF level gauge



DEF low level guidance

Aftertreatment devices regeneration automatic display

When it is necessary to carry out manual stationary regeneration of the Komatsu Diesel Particulate Filter (KDPF), the display automatically switches to the aftertreatment device regeneration screen to inform the operator.



Aftertreatment device regeneration screen

Maintenance time caution lamp display

When the remaining time to maintenance becomes less than 30 hours*, the maintenance time monitor appears. Pressing the menu button on the monitor control panel switches the monitor to the maintenance screen.

* The setting can be changed within the range between 10 and 200 hours.



Maintenance screen

Long oil change intervals

Long oil change intervals help minimize operating costs.

- Engine oil: 500 hours
- Hydraulic oil: 2,000 hours
- Transmission oil: 1,000 hours



Durability features

Durability

The front and rear frame of the GD955-7 maintain durability in severe mining environments.



Front frame structure

The frame maintains strength against bending and twisting due to large section structures with high tension steel plates, simplified structure and optimum plate thickness. The target design life is double that of the previous model.

Rear frame structure

Lightweight frame is highly durable due to C-section structure with high tension steel plates. When compared to the previous model, maintainability is greatly improved by optimizing the power line layout.

Reversible fan

The radiator fan is hydraulically driven and reversible. The fan reverse mode can be controlled by use of the monitor.



Fan reverse indicator

Operator environment features



Cab and control system

Komatsu maintains industry standard work equipment control lever configuration while improving ergonomic comfort by repositioning levers next to the operator seat. The standard equipment, right-sized steering wheel provides controllability while travelling on-road at higher speeds.

Less effort

New control system reduces operator arm movement and relieves stress, providing an ergonomic console layout. Additional room behind the seat provides improved adjust capability.

Movement of arm

Reduce up to **92%**

Stress during operation

Reduce up to **10%**

Typical test data from Komatsu test center

Fingertip control

Low-effort short lever throws allow the operator to use multiple controls with one hand.



Steering wheel and steering lever

During work operation, the steering lever's location on the left console enables the operator to steer the machine and control work equipment without changing arm positions.

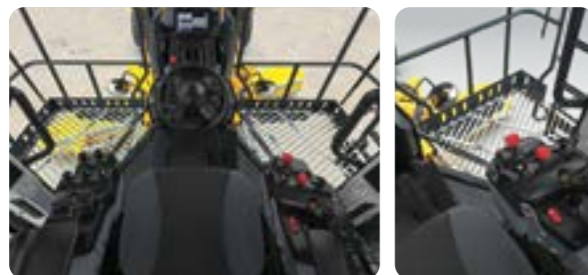


Operator environment features



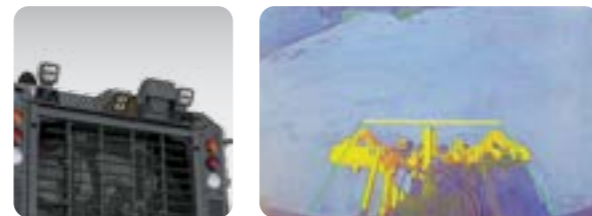
Visibility

Excellent visibility from the hexangular cab and layout of the rear-side pillars boost operator confidence and productivity in all grader applications. Well-positioned blade linkage provides an unobstructed view of the moldboard and front tires.



Rearview monitor system

The operator can view the rear of the machine with a full-color monitor that is located above the windshield. Visual guidelines can also be added for additional convenience.



Low noise

New hydraulically-driven fan and redesigned layout of the cooling system provide a lower noise level.

Operator's ear dynamic noise level (ISO 6396)

75 dB (A)

Circumference dynamic noise level (ISO 6395)

109 dB (A)

Typical test data from Komatsu test center

Work equipment lock switch

The operator can lockout the work equipment function with the electrical work equipment switch.

Seat belt warning indicator

A warning indicator on the monitor appears when the seat belt is not fastened.



Air conditioner (A/C)

Well-positioned air conditioning vents keep the cab temperature comfortable regardless of weather conditions.

Adjustable tilt/telescopic steering wheel

The steering wheel also has a flip-up function to ensure easy entry and exit from the cab.



Suspension seat

The air suspension fabric-covered seat that is adjustable to the operator's weight is provided as standard. The suspension seat dampens vibrations transmitted from the machine to reduce operator fatigue.



Power console height adjustment

The control lever console height can be adjusted with the push of a button.



Self-canceling turn signals

By turning the steering wheel back to the straight position, the turn signal cancels and the lever returns to its original position.

Standard equipment



Control features

Lockup torque converter transmission

Enhance productivity with the efficiency of a direct-drive transmission and the controllability of a torque converter drive transmission. Perfect for trained operators of all experience levels and applicable to a wide variety of tasks, including maintaining and building haul roads.

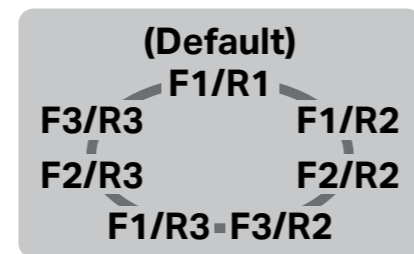


Shift lever and F-N-R switch

The GD955-7 features a finger control shift lever and F-N-R switch near the right-hand side control levers. The operator can easily shift the gear and set direction during work equipment control.

Gearshift preset function

The F-N-R switch's initial gear position can be adjusted to operator preference in order to reduce frequent shift lever operation during shuttle shifting.



Get adaptability with dual-mode transmission

The dual mode transmission is a flexible option for operators to switch between automatic and manual modes based on the requirements of grading tasks or terrain conditions, enhancing performance and productivity.

Auto mode

Drive with torque converter in all shift positions. This mode maximizes torque converter benefits. Lockup will work in F3-F8 and R4-R8 position. Shifting F8 position serves automatic shifting through F3-F8 in response to machine speed.

Manual mode

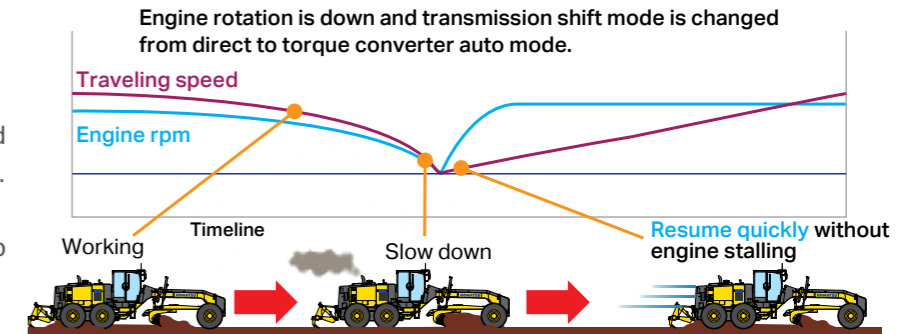
Works the same way as conventional power shift by engaging lockup clutch with all gears. This mode maximizes the efficiency of direct shifting. During reverse travel, this mode works the same way as auto mode, reducing the need and frequency of shift lever operation.

	Shift lever position								Auto mode & manual mode								
	F1	F2	F3	F4	F5	F6	F7	F8		R1	R2	R3	R4	R5	R6	R7	R8
Auto mode	○	○	◎						○	○	○	○					
Manual mode	●	●	●	●	●	●	●	●	●	●	●	●	●	●	●	●	●

○ In torque converter state
 ◎ As the machine speed increases, torque converter state changes to lockup state
 ● In lockup state (torque converter is not in use)

Anti-stall

Prevents engine stalling while in manual mode by automatically disengaging the lockup clutch and shifting to torque converter mode. The torque converter absorbs the load, allowing the machine to keep moving and not stall or stop.

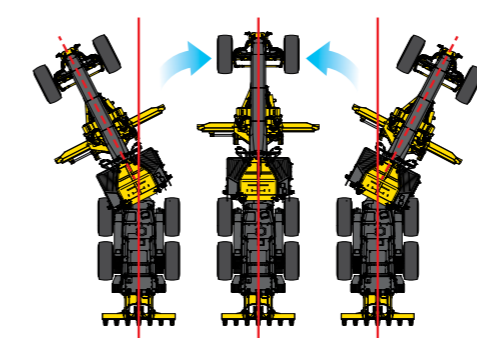
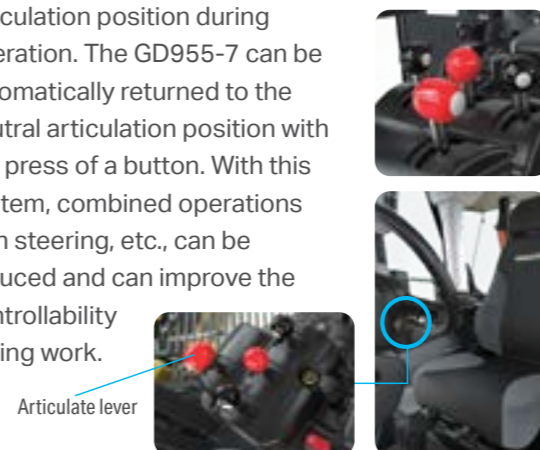


Power train protection

Electronic overspeed protection prevents downshifting until reducing the travel speed to the safe range of shift changing. FR inhibitor restricts excessive shuttle shifting at high traveling speed. When the inching clutch is used, if the travel speed is reduced by the automatic downshift function in the inching mode, the gear speed is automatically lowered to prevent engine stall and clutch seizure.

Articulate auto center return system

It can often be difficult to identify the neutral articulation position during operation. The GD955-7 can be automatically returned to the neutral articulation position with the press of a button. With this system, combined operations with steering, etc., can be reduced and can improve the controllability during work.



Reduce shift shock for driving comfort

The torque converter absorbs the engine's torque fluctuation. Even while shifting the gear during lockup, the torque converter temporarily absorbs shock, helping improve drive comfort.

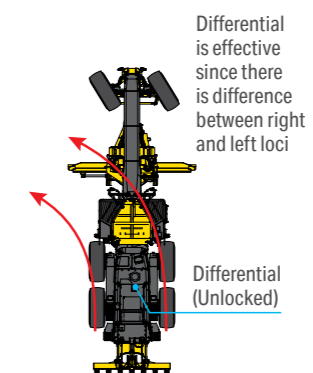
Electric throttle control

An rpm set switch allows the operator to perfectly match ground speed to working conditions. The switch has three positions: auto, off and manual. When the engine speed is set and the switch is positioned in auto, the brake or acceleration pedal will temporarily override the rpm set point.

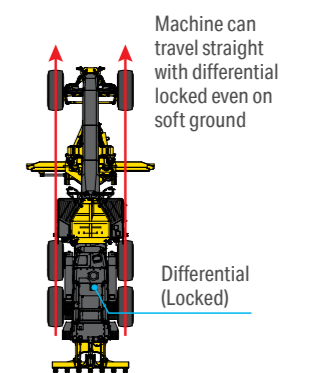
Automatic differential lock

The automatic differential lock/unlock selection mode works in accordance with the steering angle. The operator does not need to operate the switch between straight and turned travel.

During turning



During straight travel

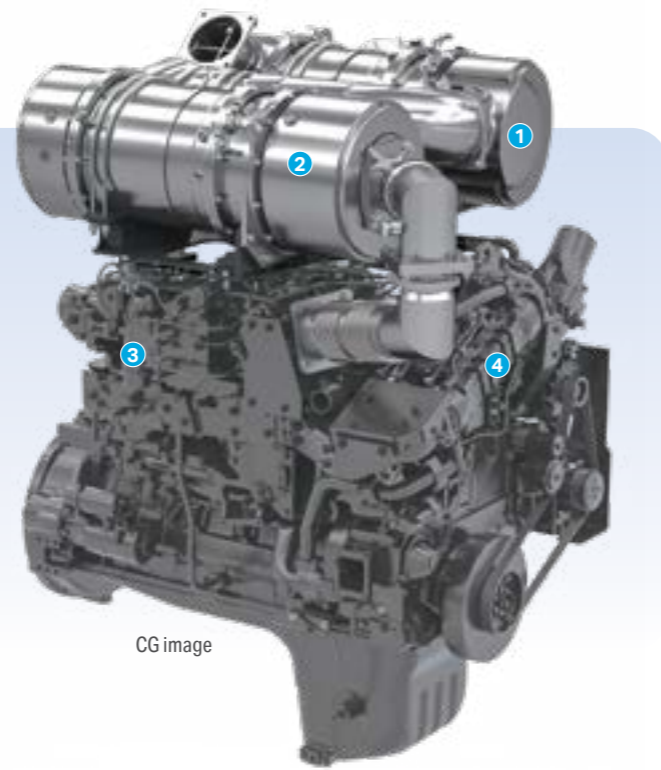


Ecology features

Komatsu's new emission regulations-compliant engine

Komatsu provides a powerful and economical U.S. EPA Tier 4 Final compliant engine with the latest emission-control technologies and fuel-saving features.

- 1 Komatsu Diesel Particulate Filter (KDPF)
- 2 Selective catalytic reduction (SCR)
- 3 Variable geometry turbocharger (VGT)
- 4 Heavy-duty cooled exhaust gas recirculation (EGR) system



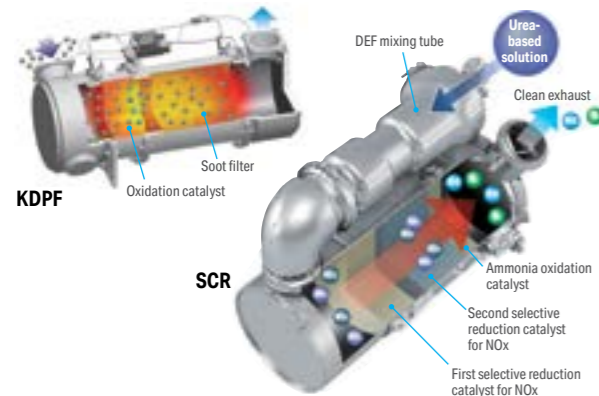
CG image



Technologies applied to new engine

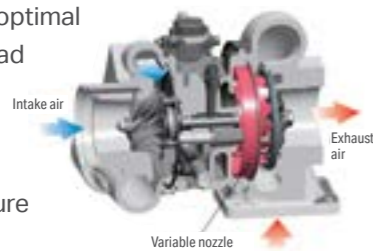
Heavy-duty aftertreatment system

This new system combines a KDPF and SCR. The SCR NOx reduction system injects the correct amount of DEF at the proper rate, thereby decomposing NOx into non-toxic water vapor (H₂O) and nitrogen gas (N₂).



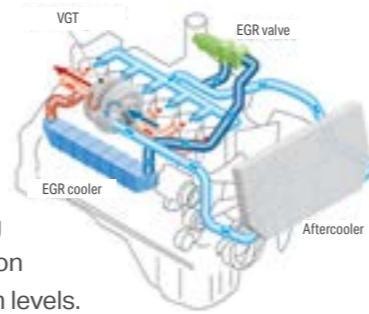
VGT system

The VGT system features proven Komatsu-designed hydraulic technology for variable control of air-flow and supplies optimal air according to load conditions. The upgraded version provides better exhaust temperature management.



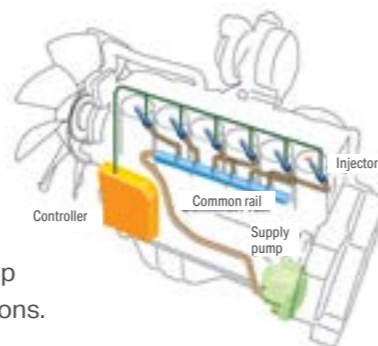
Heavy-duty cooled EGR system

The system recirculates a portion of exhaust gas into the air intake and lowers combustion temperatures, helping reduce nitrogen oxide emissions. EGR gas flow has been decreased for Tier 4 Final with the addition of SCR technology. The system is designed to reduce nitrogen oxide, while helping cut fuel consumption below Tier 4 Interim levels.



High Pressure Common Rail (HPCR) fuel injection system

The system is designed to achieve an optimal injection of high-pressure fuel by means of computerized control, thereby achieving near-complete combustion to help reduce PM emissions.



Engine power mode selection system

The system allows the operator to select from three modes, according to the working conditions: P mode, E mode or Middle speed mode. The selector switch is located on the console for easy access.

P mode

Maximize production by taking full advantage of engine output. Appropriate for job sites that emphasize productivity.

E mode

Suited for carrying out lighter work economically. This feature provides sufficient power, better fuel consumption and prevents tire slipping to extend tire life.

Middle speed mode

The operator can finely change the travel speed while working at full throttle since the intermediate gear speeds (F2.5, F3.5) are provided by controlling the engine. With this, the operator can work at optimum travel speed.

	Shift range	F1	F2	F3	F4	F5	F6	F7	F8		
	Selected gear	1st	2nd	3rd	4th	5th	6th	7th	8th		
E mode	Travel speed (mph)	3.1	4.3	5.6	8.1	9.9	13.7	21.1	27.3		
	(km/h)	5	7	9	13	16	22	34	44		
P mode	Travel speed (mph)	3.7	5.0	6.8	9.3	11.2	14.9	21.1	27.3		
	(km/h)	6	8	11	15	18	24	34	44		
	Shift range	F1	F2	F2.5	F3	F3.5	F4	F5	F6	F7	F8
	Selected gear	1st	2nd	3rd	4th	5th	6th	7th	8th		
Middle speed mode	Engine rpm limit			●		●					
	Travel speed (mph)	3.7	5.0	5.6	6.8	7.5	9.3	11.2	14.9	21.1	27.3
	(km/h)	6	8	9	11	12	15	18	24	34	44

Travel speeds calculated with 26.5R25 L3 tires at full acceleration and hard, flat road

Information and communication technology (ICT)

Machine monitor

The machine monitor displays various machine information and allows for various machine settings. The liquid crystal display (LCD) monitor is a 7-inch color screen that displays maintenance information, operation records, ECO guidance records, etc. The switch panel is used to select various screens. By using the switch panel, you can display various user menus on the LCD screen and adjust the machine settings.



Visual user menu

Pressing the menu switch on the switch panel displays the user menu screen. The menus are grouped by their functions. Easy-to-understand icons enable intuitive use.



ECO guidance

For optimum operation, the following four guidance messages are displayed for fuel saving operation.

- 1) Excessive engine idling event
- 2) Overuse of the accelerator pedal
- 3) Recommendation of release acceleration at direction change
- 4) Recommendation to shift up



Machine monitor with troubleshooting function to minimize downtime

Various meters, gauges and warning functions are centrally arranged on the machine monitor. The monitor simplifies startup inspection by visually and audibly warning the operator of abnormalities. The warnings are rated according to severity levels (one to four) to help keep the operator aware. Replacement times for oil and filters are also indicated.

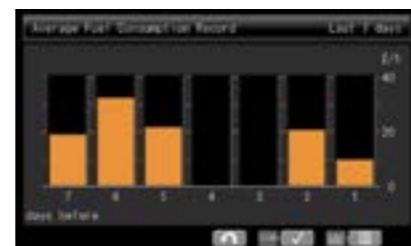


ECO gauge

In order to help the operator perform in an environmentally friendly way and minimize energy consumption, an easy-to-read ECO gauge is displayed on the machine monitor screen.

Operation record, fuel consumption history and ECO guidance record

The ECO guidance menu enables the operator to check the operation record, fuel consumption history and ECO guidance record from the ECO guidance menu using a single touch, enabling the total fuel consumption to be reduced.



Operation Record (100h)	
Working Hours (Engine On)	0.0 h
Average Fuel Consumption	10.0 L/h
Actual Working Hours	0.0 h
Max Fuel Consumption (Actual Working)	10.0 L/h
Fuel Consumption	0.0 L
Idling Hours	0.0 h

General features

Built-in ROPS/FOPS cab

Operator cab structure conforms to ISO 3471 ROPS standard and ISO 3449 FOPS Level II standard.



Secondary engine shutdown switch

A secondary engine shutdown switch is located in the cab for emergency use.

Rear-entry access platform (optional)

The rear-entry access platform provides easy access/egress to and from the cab.



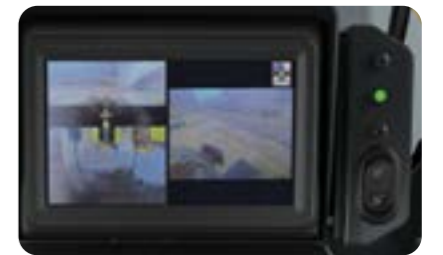
Route of entry



* Standard specification

KomVision

The five-camera system provides a bird's-eye view around the vehicle and is designed to enhance visibility of the surrounding work area on a dedicated monitor. An additional rearview camera can be viewed on a dedicated monitor above the windshield in line with the rearview mirrors.



Three-point seat belt

A three-point operator seat belt is available as standard equipment with heated and ventilated air suspension seat. This is made possible by changing operating position with electric control levers. It can also be used as conventional two-point seat belt depending on the work application.

Full LED lighting

Standard 14 LED working lamps helps enhance visibility and efficiency during night shifts. A convenient LED access lamp and service lamp also help promote visibility. All other roading lamps have been changed to LED-type to help extend service bulb life.



Komatsu helps you bring it all together

Get the most out of your fleet with My Komatsu

We've designed a portal that makes it easy to collect, visualize and monitor data for both Komatsu machines and other OEM machines. My Komatsu also gives you one easy source for accessing manuals and purchasing parts for your machines.

- Quickly collect, view and manage intuitive data displays in one location
- Help keep costs under control
- Benchmark machine performance and track fuel consumption
- Monitor for theft and unauthorized use
- Receive timely maintenance alerts



My Komatsu, our comprehensive portal, analyzes telematics data from your on-machine technology — Komtrax, Komtrax Plus or from other OEMs — and displays it on easy-to-read dashboards. Now you can get the powerful analytics you need to manage your costs and enhance your fleet's efficiency without a complicated process or expensive third-party solutions.



Data
Telematics data is generated by on-machine technology.

Storage

Telematics data flows into data storage. ISO 15143-3 (AEMP 2.0) facilitates the extraction and raw data to your choice of databases.



Connection
Choose how you want to connect and view your data. Go to multiple systems, send to a third party or easily connect it all through My Komatsu.

Analytics

My Komatsu connects telematics data from Komatsu and non-Komatsu equipment and creates powerful analytics dashboard views.



mykomatsu.komatsu

Connect your machines to Smart Construction to optimize your job sites

Your projects depend on robust data that is easily shared, replicated, updated and — most important of all — correct.



Take a step toward a digital transformation of your job sites with Komatsu's suite of Smart Construction solutions, where advanced automation and integrated technologies intersect to help you:

- Track costs of labor, machines and materials
- Receive real-time insights straight from the field
- Enhance workflow with fully integrated data
- Visualize your data for actionable results
- Quickly map your job site
- Attract and retain talent



Not sure where to begin? Komatsu-certified solution experts are available on the phone, online or at your job site to help you navigate and thrive along your digitalization journey.

komatsu.com/smart-construction

Komatsu maintenance and repair programs

Get the service and repairs you need your way. Komatsu offers a tiered maintenance and repair program that simplifies the upkeep of your machine to help control operating costs and get the most from your equipment. Manage your active coverage programs through the My Komatsu customer interface and take advantage of attractive financing options.

- Solutions that fit your needs and ease your mind
- Fixed maintenance and repair costs for the life of the contract
- National coverage



Komatsu Care Plus

Extended maintenance

A continuation of the Komatsu Care program. Along with regularly scheduled maintenance and national distributor coverage, you get a variety of added benefits.

Komatsu Care Plus II

Extended maintenance and repair

Everything in the Komatsu Care Plus program bundled with comprehensive repair coverage for qualifying repairs.

Komatsu Care Plus III

Extended maintenance, repair and consumables

A comprehensive program that simplifies your equipment's total cost of ownership with a fixed cost per hour for qualifying repairs and replacements.

Komatsu Care Advantage Warranty

Extended warranty

Protect your equipment in the event a covered component fails due to a defect in material or workmanship. Repairs are performed by Komatsu-trained experts using Komatsu genuine parts.

komatsu.com/maintenance-repair

Komatsu Financial

Financial services built for your business success.

komatsu.com/financing

Komatsu Genuine Parts

Engineered to help extend the life of your Komatsu machine. Now available on the My Komatsu parts store.

komatsu.com/parts

Komatsu training

Comprehensive training support — virtually, at our facility or where most convenient.

komatsu.com/training



Specifications

Engine

Model	Komatsu SAA6D140E-7	
Type	Water-cooled, 4-cycle, direct injection	
Aspiration	Turbocharged and air-to-air aftercooled	
No. of cylinders	6	
Bore	5.6"	140 mm
Stroke	6.5"	165 mm
Piston displacement	4 gal	15.24 L
Engine power (manual mode)		
SAE J1995	Gross 318 kW (426 HP)/1,900 rpm	
ISO 14396	318 kW (426 HP)/1,900 rpm	
ISO 9249 (net engine power)	Net 311 kW (417 HP)/1,900 rpm	
Maximum torque	1,586 ft.-lbs. 2,150 N·m (219 kgf·m)/1,350 rpm	
Torque rise	37%	
Fan speed	Max. 1,300 rpm	
Air cleaner	2-stage, dry-type	

U.S. EPA Tier 4 Final emissions certified.

Tandem drive

Oscillating welded box section	2' 5" x 12"	739 mm x 296 mm
Side wall thickness: inner	1"	25 mm
outer	1"	25 mm
Wheel axle spacing	6' 6"	1,981 mm

Front axle

Type	Solid bar construction welded steel sections	
Ground clearance at pivot	2' 4"	710 mm
Wheel lean angle, right or left	14°	
Oscillation, total	32°	

Rear axle

Alloy steel, heat treated, semi-floating axle with lock/unlock differential (auto/manual)

Transmission and torque converter

Full power shift transmission with torque converter and lockup.

Gear	Forward				Reverse			
	*1	*2	*1	*2	*1	*2	*1	*2
1st	3.3 mph	5.3 km/h	3.5 mph	5.7 km/h	2.8 mph	4.5 km/h	3 mph	4.9 km/h
2nd	4.5 mph	7.2 km/h	4.8 mph	7.8 km/h	3.8 mph	6.1 km/h	4.1 mph	6.6 km/h
3rd	6.3 mph	10.2 km/h	6.8 mph	11 km/h	5.4 mph	8.7 km/h	5.8 mph	9.4 km/h
4th	8.5 mph	13.7 km/h	9.1 mph	14.6 km/h	7.3 mph	11.7 km/h	7.8 mph	12.6 km/h
5th	10.4 mph	16.8 km/h	11.1 mph	17.9 km/h	9.9 mph	15.9 km/h	10.6 mph	17 km/h
6th	14.3 mph	23.0 km/h	15 mph	24.2 km/h	13.5 mph	21.8 km/h	14.3 mph	23 km/h
7th	20.2 mph	32.5 km/h	20.9 mph	33.7 km/h	19.1 mph	30.8 km/h	19.9 mph	32.1 km/h
8th	27.1 mph	43.6 km/h	27.6 mph	44.4 km/h	25.7 mph	41.4 km/h	26.3 mph	42.3 km/h

*1 Travel speeds calculated with 26.5R25 L3 tires at rated engine rpm and hard flat road

*2 Travel speeds calculated with 26.5R25 L3 tires at full accelerator and hard flat road

Steering

Hydraulic power steering provides stopped engine steering meeting ISO 5010		
Minimum turning radius	30' 6"	9,300 mm
Maximum steering range, right or left	50°	
Articulation	27°	

Brakes

Service brake	Foot operated, wet multiple-disc brakes, hydraulically actuated on four tandem wheels	
Parking brake	Manually actuated, spring applied on four tandem wheels, hydraulically released wet disc	

Frame

Front frame structure		
Height	1' 8"	504 mm
Width	1' 7"	470 mm
Side	1"/1.3"	25/32 mm
Upper, lower	1.1"/1.3"	28/32 mm

Drawbar

A-shaped, welded construction for maximum strength with a replaceable drawbar ball

Drawbar frame	1' x 1.25"	310 mm x 32 mm
---------------	------------	----------------

Circle

Lubricated bearing type circle; Circle and pinion require no adjustment		
Diameter (outside)	6'	1,822 mm
Circle reversing control hydraulic rotation	130°	

Moldboard

Hydraulic power shift fabricated from steel. Includes replaceable metal wear inserts, cutting edge and end bits. Cutting edge and end bits are hardened.		
Dimensions	18' x 3' 2" x 1" 5,489 mm x 960 mm x 25 mm	
Arc radius	1' 4"	414 mm
Cutting edge	10" x 1"	254 mm x 25 mm
Replaceable/reversible side edges	8" x 1' 7" x .75" 204 mm x 490 mm x 19 mm	
Blade pull	59,119 lbf.	26,816 kgf
Blade down pressure	49,009 lbf.	22,230 kgf

Blade range

Moldboard side shift:		
Right	2' 8"	818 mm
Left	3' 1"	916 mm
Maximum shoulder reach outside rear tires (frame straight)		
Right	6' 11"	2,119 mm
Left	7'	2,126 mm
Maximum lift above ground	1' 8"	498 mm
Maximum cutting depth	1' 9"	542 mm
Blade tip angle	49-degrees forward, 3-degrees backward	

Hydraulics

Load-sensing closed center hydraulics with variable displacement piston pump. Short stroke/low effort direct acting control valves with preselected maximum flow setting to each function. Double acting anti-drift check valves on blade lift, tip, drawbar shift, articulation, ripper and leaning wheels		
Output (at engine rated rpm)	83.3 gpm	315.2 L/min
Maximum system pressure	3,989 psi	27.5 MPa 280 kgf/cm ²

Instrument

Electric monitoring system with diagnostics

Standard gauges	Articulation, engine coolant temperature, fuel level, speedometer, transmission shift indicator, engine tachometer, torque converter oil temperature, DEF level, hydraulic oil temperature, ECO gauge	
-----------------	---	--

Capacities

Fuel tank	189 gal	717 L
DEF tank	10 gal	36 L
Cooling system	21 gal	80 L
Crank case	13 gal	50 L
Transmission	23 gal	85 L
Final drive	15 gal	56 L
Tandem housing (each)	53 gal	199 L
Hydraulic system	39 gal	147 L
Circle reverse housing	7 gal	28 L

Operating weight (approximate)

Includes lubricants, coolant, full fuel tank, 5.5 m blade, L3 tire, ripper (three shanks) and pusher

Total	104,323 lbs.	47,320 kg
On front wheels	30,424 lbs.	13,800 kg
On rear wheels	73,899 lbs.	33,520 kg

Includes lubricants, coolant, full fuel tank, 6.1 m blade, L4 tire, ripper (five shanks), pusher and access platform

Total	107,079 lbs.	48,570 kg
On front wheels	31,019 lbs.	14,070 kg
On rear wheels	76,059 lbs.	34,500 kg

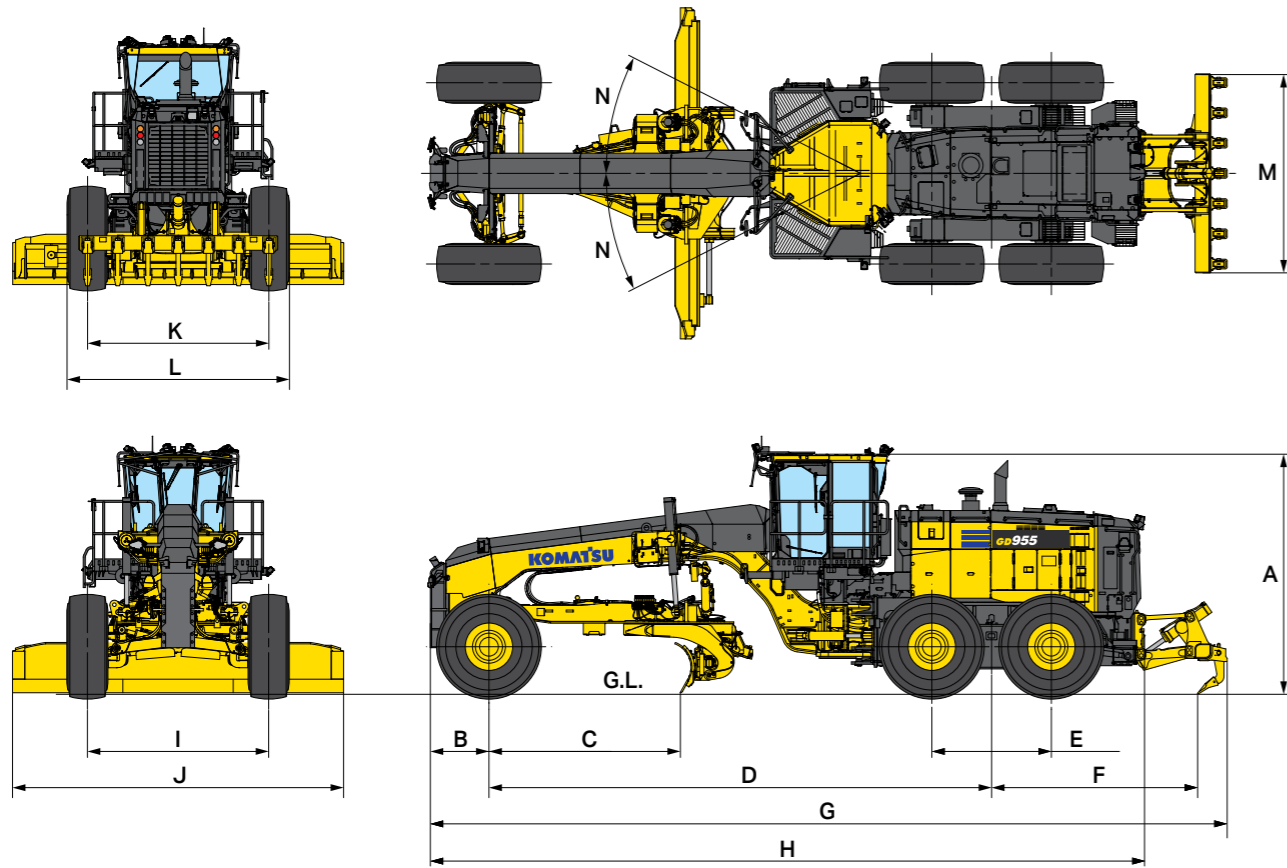
Ripper

Ripper shank holders	7	
Ripping depth	1' 9"	537 mm
Ripper shank holder spacing	1' 8"	501 mm
Penetration force	52,156 lbf.	232 kN
Pryout force	54,404 lbf.	242 kN

Specifications

Machine dimensions

A	Height (without antenna)	13' 1"	3,990 mm
B	Center of front axle to counterweight (pusher)	3' 2"	970 mm
C	Cutting edge to center of front axle	10' 4"	3,160 mm
D	Wheelbase to center of tandem	27' 4"	8,330 mm
E	Tandem wheelbase	6' 6"	1,980 mm
F	Center of tandem to back of ripper	11' 2"	3,400 mm
G	Overall length	43' 4"	13,200 mm
H	Counterweight (pusher) to ripper base bracket rear end	38' 11"	11,860 mm
I	Tread (front)	9' 10"	3,005 mm
J	Width of standard moldboard	18"	5,490 mm
K	Tread (rear)	9' 10"	3,005 mm
L	Width over tires	12' 1"	3,685 mm
M	Ripper beam width	10' 10"	3,298 mm
N	Articulation, left or right	27°	



Wheels, front and rear

Tire	Rim size	Wheel group
26.5R25	22.0	Multi-piece

Standard and optional equipment

Engine

Air cleaner, double element with dust indicator	●
Alternator, 24V/140 A	●
Batteries, maintenance free, 2 x 12V	●
Electric priming fuel pump	●
Engine, Komatsu SAA6D140E-7, U.S. EPA Tier 4 Final emissions certified	●
Engine power mode select (Power, economy and middle speed)	●
Fuel line pre-filter	●
Hydraulically driven reversible cooling fan	●
Komatsu Diesel Particulate Filter	●
Selective catalytic reduction	●
Starting motor, 11.0 kW	●

General equipment

Emergency stop switches (4)	●
Alarm, back up	●
Anchor point for tie offs	●
Disconnect switches, battery and starting motor	●
Engine shutdown secondary switch (in cab)	●
Hammer (emergency exit)	●
Horn, electric	●
KomVision Camera System	●
Machine lock out system	●
Operator presence monitoring system	●
Parking brake, spring applied, hydraulic release, wet disc	●
Rearview monitor and camera	●
Secondary brake (ISO 3450)	●
Secondary steering, automatic, electric	●
Service brakes, fully hydraulic wet multiple-disc	●

Lighting system

Access lamps, LED	●
Backup lamps, LED	●
Beacon lamp, LED	●
Cab mounted work lamps, LED	●
Engine bay lamp, LED	●
Front work lamps, LED	●
Head lamps, high and low beam, LED	●
Rear work lamps, LED	●
Stop and tail lamps, LED	●
Turn signal lamps, LED	●

Operator environment

Air conditioner (R134a) with heater	●
Cab mount, viscous	●
Defogger glass, rear	●
Doors, left and right side with wipers	●
Electrical height adjustable consoles, left and right	●
Electrical outlets (2 x 12V outlets, 1 x 24V outlet)	●
Floor mat	●
Instrument panel and monitoring system	●
Mirrors, interior cab, left and left exterior mirrors	●
Mirrors, outside heated and power adjustable	●
Operator seat with 2-point seat belt, reclining, air suspension type	●
Multi-color monitor with 7-inch LCD display	●
Radio, AM/FM with AUX input, Bluetooth®	●

Further equipment on request

- Standard equipment
- Optional equipment

This specification sheet may contain attachments and optional equipment that are not available in your area. Please consult your local Komatsu distributor for those items you may require. Materials and specifications are subject to change without notice.

Room lamp, LED	●
ROPS/FOPS (ISO 3471/ISO 3449)	●
Operator seat with 3-point seat belt, reclining, air suspension type	●
Space for lunch box	●
Steering lever, electric, palm control	●
Steering wheel, tilt and telescopic	●
USB port for charging	●
Wipers, front, doors and rear	●

Power train

Automatic differential lock	●
Axle, rear semi floating, planetary type	●
Brake, parking, spring applied, hydraulically released wet disc	●
Differential, manual lock/unlock	●
Dual mode transmission (8F/8R) power shift direct drive and torque converter with auto shift	●
Engine overrun warning and protection	●

Work equipment and hydraulics

Accumulators, blade lift	●
Articulation, automatic return-to-center	●
Clutch, circle drive slip	●
Cutting edges, flat, 10" x 1", .75" (254 mm x 25 mm, 19 mm) mounting bolts	●
Drawbar, bearing type circle	●
End bits, 8" x .75", .75" (204 mm x 19 mm, 19 mm) mounting bolts	●
Moldboard, hydraulic side shift and tilt, 18' x 32" x 1" (5,500 mm x 810 mm x 25 mm)	●
Moldboard, hydraulic side shift and tilt, 20' x 32" x 1" (6,100 mm x 810 mm x 25 mm)	○
Rail guide with backlash adjustment bolts	●
Ripper, 7 shank	●

Other equipment

Auto-lube, Graco	●
Fast fill coupler for fuel tank	●
Externally powered power train heaters, 230V (engine coolant, engine oil, transmission oil, differential oil)	●
Ground level service center (engine coolant, engine oil, transmission oil, hydraulic oil)	●
In conformity with lockout/tagout regulation	●
Komtrax Plus	●
KOWA sampling ports	●
Painting, Komatsu standard color scheme	●
Pre-cleaner, Turbo II	●
Platform, access platform with ladders	●
Platform, rear entry access platform	○
Pusher plate	●
Rear fenders	○
Tires and rims: 26.5R25 (L-3) with multi-piece rim	●
Toolbox with lock	●
Transmission under guard	●
Vandalism protection, lockable fuel tank, hydraulic tank, battery cover, engine side covers	●
Wheel chocks (2)	●

Product designs, specifications and/or data in this document are provided for informational purposes only and are not warranties of any kind. Product designs and/or specifications may be changed at any time without notice. The only warranties that apply to sales of products and services are Komatsu's standard written warranties, which will be furnished upon request.

Komatsu and other trademarks and service marks used herein are the property of Komatsu Ltd. or its subsidiaries, or the respective owners or licensees.

KOMATSU

[komatsu.com](https://www.komatsu.com)

