

## WX07

Load haul dump  
general specifications



Lower environment  
impact



Reliability



Productivity



Indicative illustration only, machine design will vary

### Operating capacities and weights

Payload	7 000 kg	15,432 lbs.
Bucket capacity	3.1 m <sup>3</sup>	4.0 yd <sup>3</sup>
Operating weight	22 340 kg	49,251 lbs.

### Engine power

Engine rated power - standard	160 kW	215 HP
-------------------------------	--------	--------

# WX07

## Capacities

Tramming capacity	7 000 kg	15,432 lbs.
Hydraulic breakout force lift	14 264 kg	31,447 lbs.
Hydraulic breakout force tilt	13 645 kg	30,082 lbs.
SAE breakout force	12 617 kg	27,816 lbs.
SAE static tipping load	21 258 kg	46,866 lbs.
Bucket	3.1 m <sup>3</sup>	4.0 yd <sup>3</sup>

## Weights

Operating weight	22 340 kg	49,251 lbs.
Total loaded weight	29 340 kg	64,683 lbs.

### Axle weight without load

Front axle	9 639 kg	21,250 lbs.
Rear axle	12 701 kg	28,001 lbs.

### Axle weight with load

Front axle	20 244 kg	44,630 lbs.
Rear axle	9 096 kg	20,053 lbs.

## Driving speeds F and R unloaded km/h

Grade (%)	0	5	10	12	15	20
1st gear	4.3	4.1	4.0	3.9	3.8	3.7
2nd gear	8.7	7.9	7.5	7.4	7.3	6.8
3rd gear	14.5	13.0	11.8	11.3	10.2	7.5
4th gear	25.8	20.9	13.2	10.1	5.0	

## Driving speeds F and R loaded km/h

Grade (%)	0	5	10	12	15	20
1st gear	4.2	3.9	3.87	3.8	3.7	3.6
2nd gear	8.7	7.7	7.4	7.2	6.8	5.9
3rd gear	14.5	12.6	10.2	8.7	7.3	4.2
4th gear	24.1	18.1	5.0			

## Bucket motion times (+/-1 s)

Dump time	2.00 s
Rollback time	2.45 s
Raising time	5.95 s
Lowering time	3.45 s

## Control system

User interface	IQAN MD4
----------------	----------

## Structural

Front and rear frames	Welded steel box construction
Material	A572 GR50 (CSA G40.21-50W)

## Powertrain

Engine	<b>Standard</b> Cummins QSB 6.7 EPA Tier 3, MSHA/CANMET
Output	160 kW (215 HP) @2100 rpm

### General

Air filtration	Donaldson (dry type)
Exhaust system	DOC
Fuel tank capacity	243 litres 64 gallons
Converter	Dana C3000 series
Lock-up	Yes
Transmission	Dana TE14
Shifting	Powershift with auto and manual modes
Seeds	4 forward / 4 reverse

### Axles

Front and rear	Dana 17D
Differential	LSD front axle, no spin rear axle
Brakes	Spring applied, hydraulic release
Oscillation angle	+/- 6 deg

Tires	Bias L5S or Radial
Size	17.50 x 25
As applications vary, tire supplier should be consulted on appropriate tire.	

Standard Operating Temperature/Environment	10°C to 50°C
--	--------------

## Hydraulics

### Boom/bucket hydraulics

Variable displacement piston pump with load-sensing, closed center circuit design for optimal efficiency. Available oil flows from the steering/brake pump to the bucket hoist/dump circuit to decrease cycle time. Single stage, double-acting dual hoist cylinders. Single stage, double acting, dump cylinder with rod guard.

### Steering hydraulics

Variable displacement piston pump with load-sensing, closed center circuit design. Controlled by an electric joystick. Double acting dual steer cylinders.

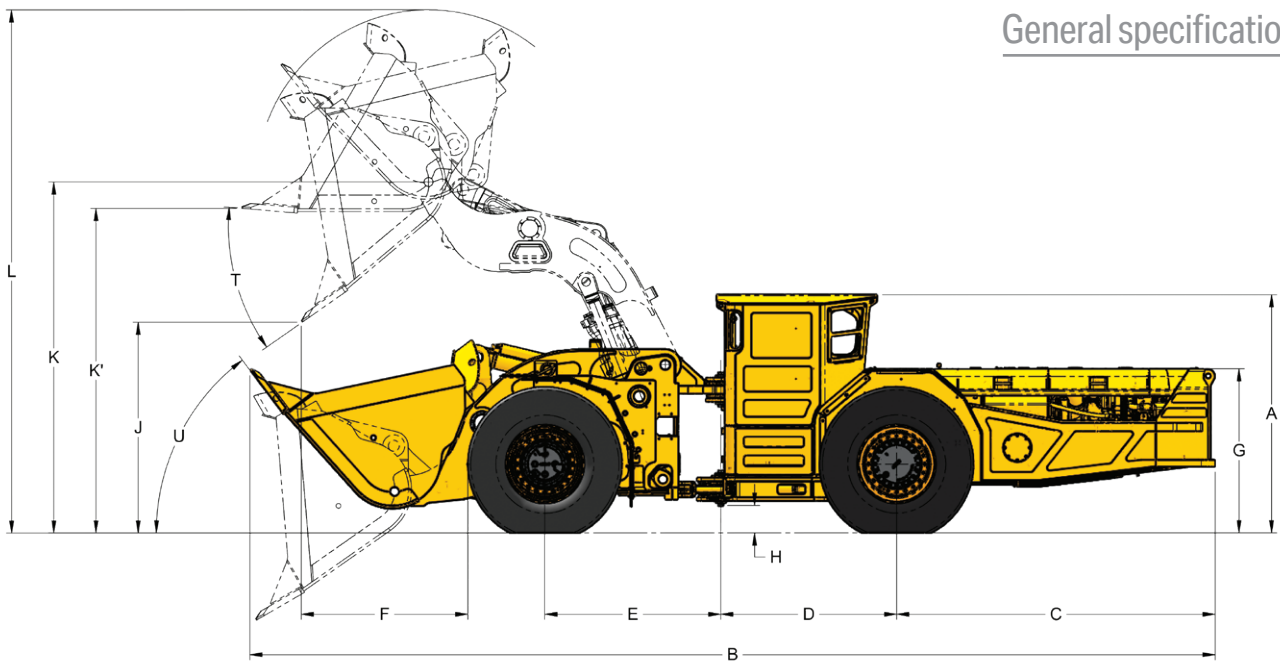
Hydraulic tank volumes	171 litres 45.0 US gallons
------------------------	----------------------------

## Brake system

Service brakes are spring applied, hydraulically released, wet multi-disk brakes on all four-wheel ends. The wheel end brakes also function as emergency and parking brakes. Brake system conforms to CAN/CSA 424.3 and ISO3450.

## Electrical equipment

Alternator	24V/120A Prestolite
Batteries (24V system)	2 x 12V
Starter	24V heavy duty
Driving and working lights	8 forward/3 rear
Cabin lights	3 interior lights (LED)



### Overall dimensions

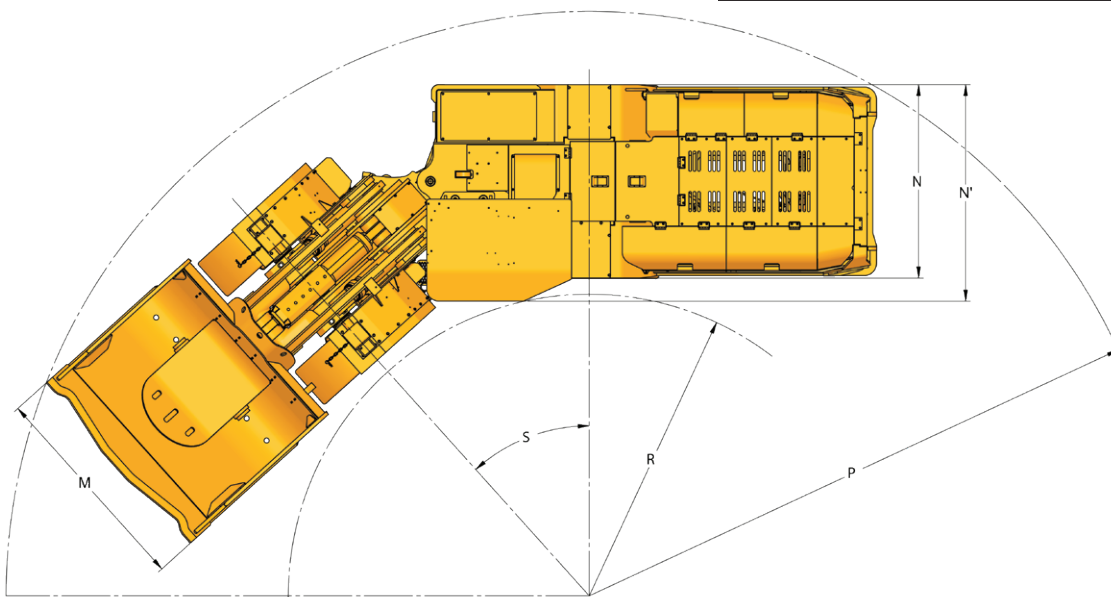
<b>A</b>	Top of cabin	2 164 mm	85.3 in
<b>B</b>	Overall traming length	8 788 mm	346 in
<b>C</b>	Rear axle to bumper	2 897 mm	114.1 in
<b>D</b>	Centre hinge to rear axle	1 600 mm	63 in
<b>E</b>	Centre hinge to front axle	1 600 mm	63 in
<b>F</b>	Bucket reach	1 515 mm	58.6 in
<b>G</b>	Top of hood	1 491 mm	58.6 in
<b>H</b>	Ground clearance	240 mm	9.5 in
<b>J</b>	Dump clearance	1 932 mm	76.1 in
<b>K</b>	Lift arm pin	3 190 mm	125.6 in
<b>K'</b>	Bucket level	2 968 mm	116.9 in
<b>L</b>	Bucket raised	4 735 mm	186.4 in

### Overall dimensions

<b>N</b>	Width - rear frame	1 898 mm	74.7 in
<b>N'</b>	Width - cabin	2 178 mm	85.8 in
<b>RE</b>	Outside turning radius	5 880 mm	231.5 in
<b>RI</b>	Inside turning radius	3 033 mm	119.4 in
<b>S</b>	Turn angle		42 deg
<b>T</b>	Dump angle		40 deg
<b>U</b>	Roll back angle		48 deg

### Bucket width (M)

2.6m <sup>3</sup> (3.4 yd <sup>3</sup> )	1 892 mm	74.5 in
2.8m <sup>3</sup> (3.7 yd <sup>3</sup> )	2 007 mm	79.0 in
3.1m <sup>3</sup> (4.0 yd <sup>3</sup> ) Standard	2 170 mm	85.4 in
3.4m <sup>3</sup> (4.4 yd <sup>3</sup> )	2 362 mm	93.0 in
3.8m <sup>3</sup> (5.0 yd <sup>3</sup> )	2 604 mm	102.5 in
4.3m <sup>3</sup> (5.6 yd <sup>3</sup> )	2 896 mm	114.0 in
2.4m <sup>3</sup> (3.1 yd <sup>3</sup> ) Ejector	2 170 mm	85.4 in



## Standard equipment

---

- Certified ROPS/FOPS open cabin
    - Air ride seat
    - Two LCD screens on dash
    - Selectable two position throttle and brake pedal location
    - 12V, 2-way radio power receptacle (radio supplied by customer)
    - 12 VDC power port in cabin
    - Two 2.1A USB power ports in cabin
    - Engine diagnostic port in cabin
    - Maximum grade exceeded warning display
  - 3.1 m<sup>3</sup> bucket with plate lip
  - Three emergency stops
  - Automatic engine shut down: low coolant level, low engine oil pressure, engine coolant temperature exceeded, hydraulic oil temperature exceeded, fire suppression discharge
  - Electric fill pump for hydraulic tank
  - Filter clog warning display for engine air intake filter, hydraulic pressure filters, hydraulic return filter
  - Radial tires
  - Articulation and boom lock pins
  - 3-point access to cabin
  - Double wall insulated exhaust piping
  - DOC exhaust
  - Heavy duty reflective tape
  - Heavy duty grip tape on hoods
- 

## Attachment options

---

- 2.6 m<sup>3</sup> (3.4 yd<sup>3</sup>) bucket w. plate lip
  - 2.8 m<sup>3</sup> (3.7 yd<sup>3</sup>) bucket w. plate lip
  - 3.4 m<sup>3</sup> (4.4 yd<sup>3</sup>) bucket w. plate lip
  - 3.8 m<sup>3</sup> (5.0 yd<sup>3</sup>) bucket w. plate lip
  - 4.3 m<sup>3</sup> (5.6 yd<sup>3</sup>) bucket w. plate lip
  - 2.5 m<sup>3</sup> (3.3 yd<sup>3</sup>) ejector bucket
  - Quick attach – Masterhitch
  - 2.5 m<sup>3</sup> (3.3 yd<sup>3</sup>) quick attach bucket
  - Quick attach hydraulically adjusted fork rack
  - Quick attach manually adjusted fork rack
- 

## Optional equipment

---

- Automatic lubrication system
  - DPF exhaust
  - Manual or automatic fire suppression system (remote ready)
  - Ride control
  - Turbo and exhaust manifold insulation wrap
  - Wiggins fill for hydraulic and/or fuel tank
  - Directional lightening
  - Reverse warning lights
  - Red taillights
  - Back up camera
  - Wheel chocks with brackets
  - Bias ply tires
  - Additional rear work lights
  - Power-on strobe light
  - Back-up alarm
  - 10 lbs. fire extinguisher
- 

## Cabin options

---

- Certified ROPS/FOPS enclosed cabin
    - Air conditioning
    - Three window wiper and washer
    - Stereo system with audio jack: USB and bluetooth input capability
    - Remote washer bottle fill port
    - 1.9-cm (3/4-in) safety glass windows
    - Sound deadening insulation
    - Filtered and pressurized
  - Optional heater
- 

## Ambient temperature options

---

- Arctic package, -40°C to +10°C (-40°F to 50°F)
- 

## Technology options

---

- Data management system (load weighing system included)
  - Line of site radio remote control system
- 

## Altitude options

---

- High altitude (3000-4000masl)
- 

---

Product designs, specifications and/or data in this document are provided for informational purposes only and are not warranties of any kind. Product designs and/or specifications may be changed at any time without notice. The only warranties that apply to sales of products and services are Komatsu's standard written warranties, which will be furnished upon request.

Komatsu and other trademarks and service marks used herein are the property of Komatsu Ltd., Komatsu America Corp., Komatsu Mining Corp., or one of their affiliates, or the respective owners or licensees.

# KOMATSU

mining.komatsu

